



INSTALLATION INSTRUCTIONS

SUPER DUTY - HIGH ENERGY DISTRIBUTOR CAP CONVERSION KIT

Part No. 29511: Fits Mallory Marine *Stack Cap* YD, YL, YT, YLM and YTM Series Distributors

Part No. 29512: Fits Mallory Marine *Stack Cap* YLU and YTU Series Distributors

Installation Procedure:

Step 1:

Locate #1 cylinder spark plug wire on the distributor cap and mark its position on the distributor housing.

Step 2:

Remove the original distributor cap and rotor. Do not remove spark plug wires or coil wire from the original distributor cap.

Step 3:

Remove the rivets and swivels that held the original distributor cap from the flanges on each side of the distributor housing.

Step 4:

Place new swivels in the flanges with tapped holes facing up and away from distributor housing. Slide new rivets through the flanges and new swivels. Flatten the ends of the new rivets with pliers to prevent them from vibrating loose.

Step 5:

Install the Super Duty - High Energy Rotor onto the distributor shaft. Install the Super Duty - High Energy Cap onto the distributor. Remove the spark plug wire retainer.

Step 6:

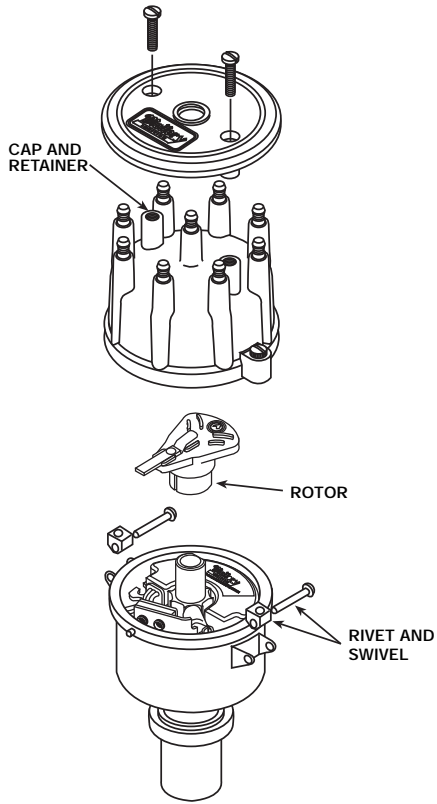
Remove #1 spark plug wire from the original distributor cap and connect it to the distributor cap post aligned with the mark you made on the distributor housing in Step 1. Connect each remaining spark plug wire to the new distributor in the exact sequence that you remove it.

NOTE: If you reuse your old spark plug wires or use spark plug wires that are not equipped with HEI terminals, you must purchase Mallory Terminal Kit Part No. 669 to correctly fit the spark plug wires to the Super Duty - High Energy Distributor Cap.

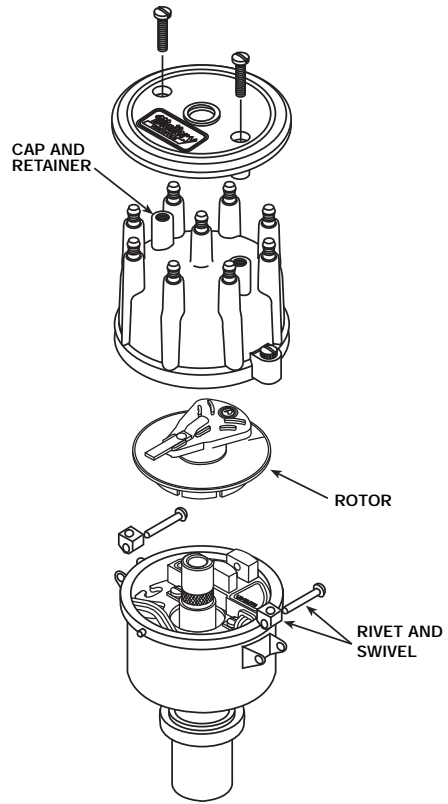
Step 7:

Install the coil wire. Reinstall the spark plug wire retainer.

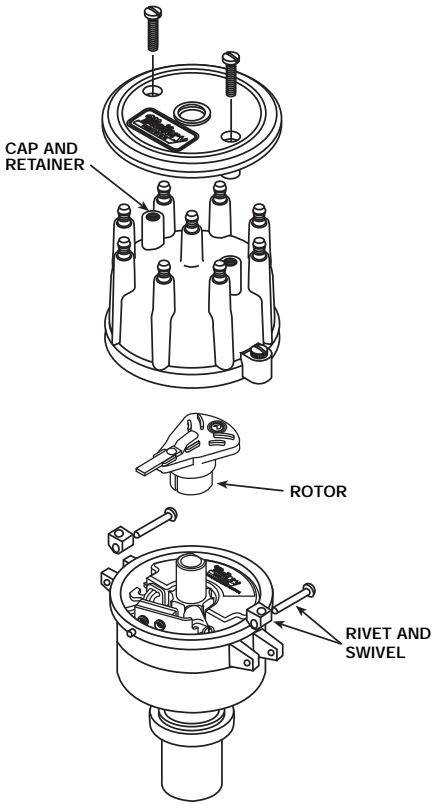
Replacement Parts	YD, YL, YT Series	YLM, YTM Series	YLU, YTU Series
Conversion Kit Part No.	29511	29511	29512
Distributor Cap	208D	208D	208D
Rotor	308	308	306M
Distributor Boot and Terminal Kit	Part No. 983M (single)		Part No. 669 (10 per set)



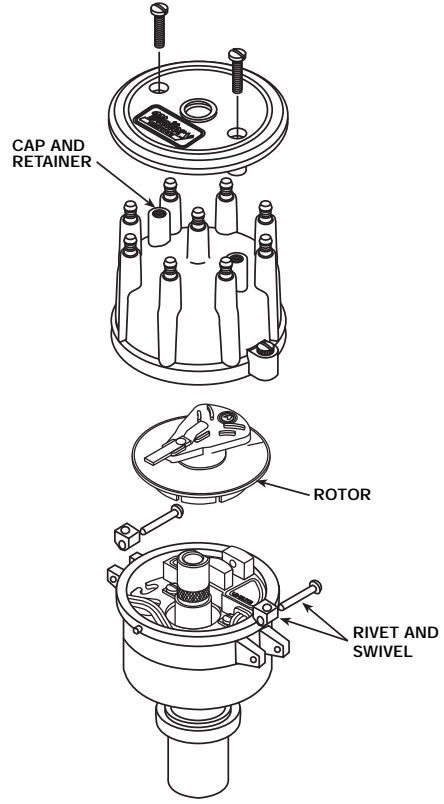
MAGNETIC AND POINT TYPE



UNILITE



MAGNETIC AND POINT TYPE



UNILITE