

MSD INSTALLATION INSTRUCTIONS

MSD DynaForce High Speed Starter FORD 289, 302, 351W 3/4" Depth, PN 50902

ONLINE PRODUCT REGISTRATION: Register your MSD product online. Registering your product will help if there is ever a warranty issue with your product and helps the MSD R&D team create new products that you ask for! Go to www.msperformance.com/registration.

IMPORTANT: Proper installation of the DynaForce Starter is important to the overall operation. Correct alignment of the starter pinion with the ring gear is needed to achieve the best operation and longevity from your starter. Please read the instructions before attempting the installation.

Parts Included:

1 - Starter 1 - Shim Ring 1 - Outer Shim

WARNING: Before installing the DynaForce Starter disconnect the battery cables. When disconnecting the battery cables, always remove the Negative (-) cable first and install it last.

Thank you for purchasing the DynaForce High Speed Starter from MSD. Thanks to special gearing and other design features, the High Speed starter spins 25% faster than our traditional DynaForce starters. This extra speed is ideal for engines with magnetos or blown alcohol. Please be sure to read, understand, and follow the instructions prior to installation so that everything goes smoothly and the engine starts reliably time after time.

When selecting a starter for your Ford, our research has found that year, model and drivetrain combination do not always dictate the correct starter. There are variations between the 164 tooth and 157 tooth flywheels and well as the inside diameter of the starter block plate (4.130" or 4.084"). MSD offers two starters for the 289/302 and 351W engines; one with a 3/8th depth ring gear, one with a 3/4" depth. Figure 1 shows the differences and applications.

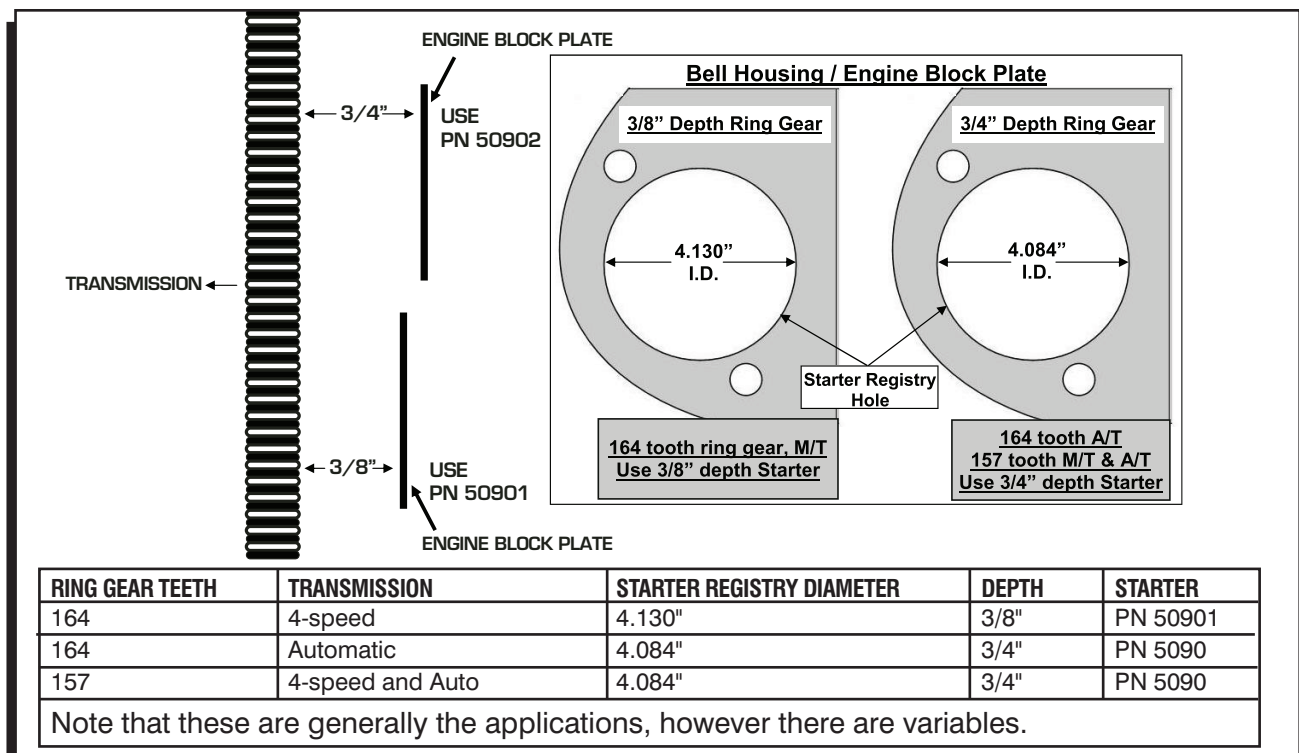


Figure 1 Ring Gear Depth and Bell Housing/Engine Block Identification.

When using OEM bell housings, it must be paired with the corresponding flywheel and ring gear. Many aftermarket bellhousings feature a punch out to allow both to be used.

INSTALLATION

1. Make sure the starter mounting flange on the mid plate is clean and smooth.
2. Before mounting the starter, measure the distance from the front of the ring gear (engine side) to the starter mounting surface (Figure 2).

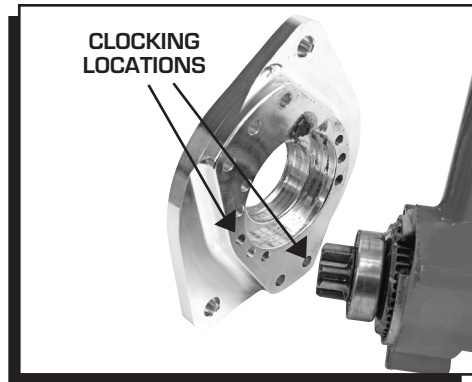


Figure 2 Clocking the Starter for Clearance.

- **If there is not enough clearance**, you will need to install the supplied shim kit by removing the mounting block (Figure 3). Place the small shim ring in the bearing bore and install the outer shim on the support housing. Reinstall the mounting block. This will move the pinion gear into the starter approximately 0.060".
3. Check that the position of the solenoid is away from direct heat sources and other components. If there are clearance problems, the starter housing can be rotated to move the location of the solenoid. This is done by removing the three bolts on the mounting block and repositioning the starter motor (Figure 1).
 4. After confirming clearances and positioning. Mount the starter.

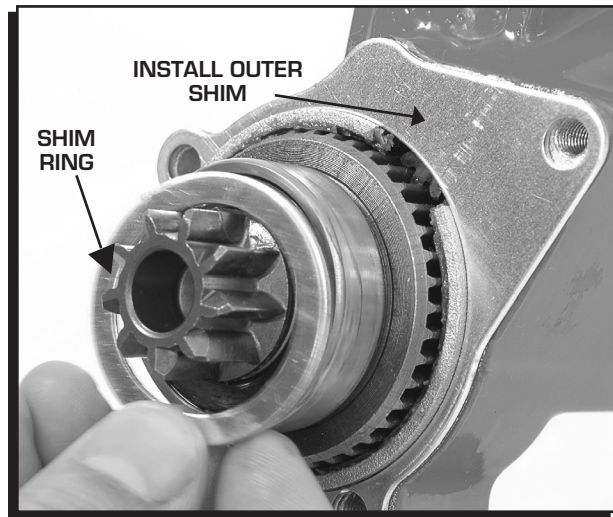


Figure 3 Installing the Pinion Shim Spacers.

- **If there is not enough clearance**, you will need to install the supplied shim kit by removing the mounting block (Figure 3). Place the small shim ring in the bearing bore and install the outer shim on the support housing. Reinstall the mounting block. This will move the pinion gear into the starter approximately 0.060".
 - The gear mesh is not adjustable on this application. Verify that all parts are correct for the application (flywheel, block plate, starter) and verify starter is mounted correctly to engine plate.
5. The switch wire that connects to the solenoid should be at least 12-gauge (Figure 4). For alternative wiring to incorporate the factory remote solenoid, See Figure 5.
- Note:** If your original starter had wire going to a second terminal, an 'R' terminal, this can generally be bypassed. See the information on the last page of the instructions for more details.
6. Attach the battery cable. The gauge of the battery cable depends on its length. Using the proper gauge wire is important to the operation of the starter. Both the positive and ground wires must be able to meet the demands of the starter. The chart in Figure 5 shows the recommended sizes. Be sure to route the wire away from the exhaust and moving parts of the engine.
 7. Connect the battery terminals and start the engine.

IMPORTANT: Never operate a starter for more than 30 seconds at a time without letting it cool for at least two minutes.

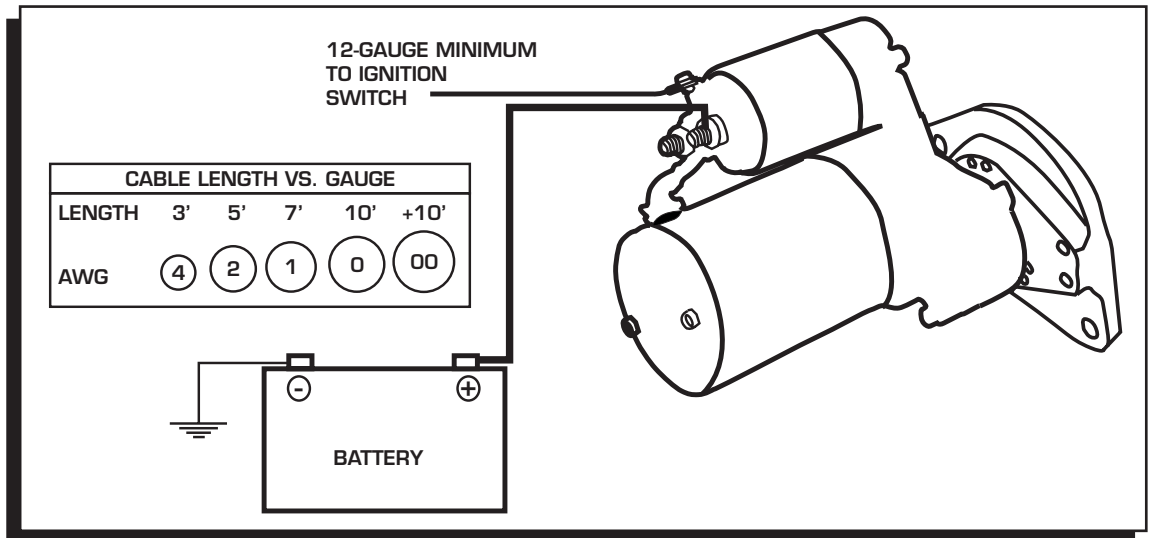


Figure 4 Wiring the Starter.

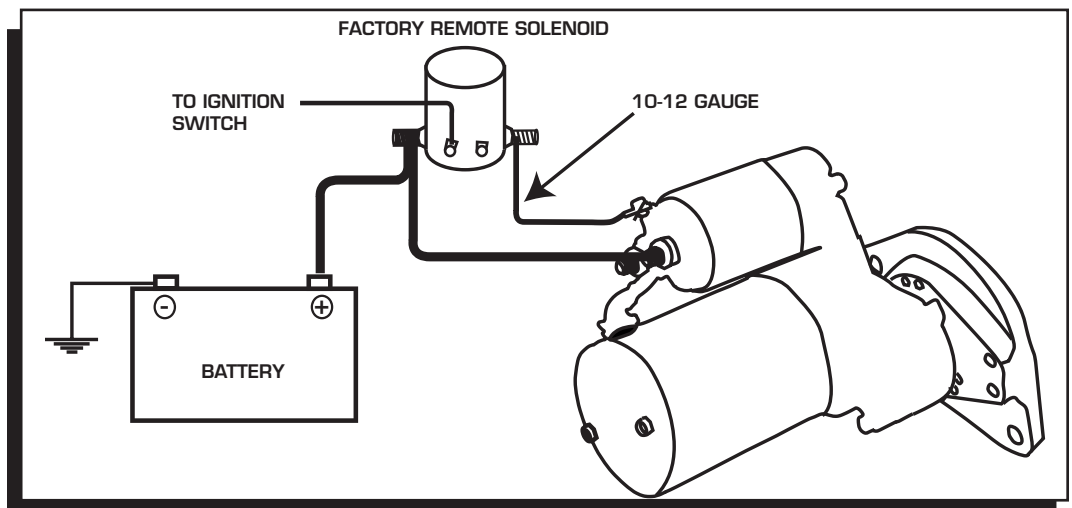


Figure 5 Wiring to Incorporate Factory Solenoid.

INSTALLATION INFO

INSPECT PINION GEAR

After cranking the engine several times, you can inspect the witness pattern on the pinion gear. The pattern should show 1/4" to 3/8". If over, the internal shim is required.

SLOW CRANKING

The most common cause is due to low input voltage. The battery should be checked, but also inspect the battery wires, terminals, connections or switches.

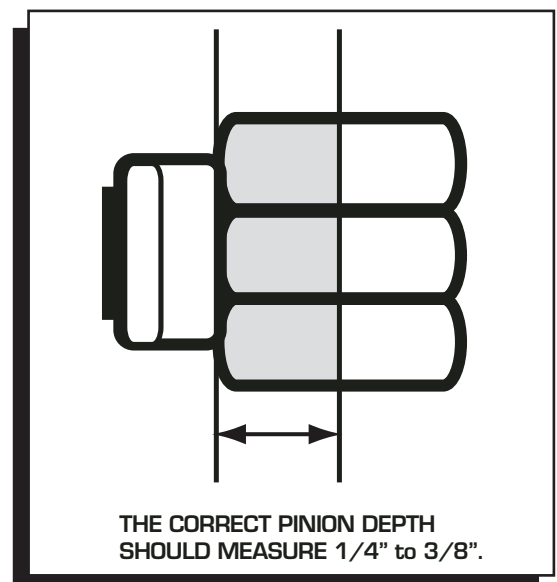


Figure 6 Pinion Gear Pattern.

