

MSD INSTALLATION INSTRUCTIONS

MSD 12 AMP Pro Mag Generator

Chevrolet: PN 8139

Note: These Instructions are for the installation of the 12 Amp Pro Mag Generator and related components only.

Note: On engines equipped with block mounted starters, a 16 volt battery is recommended.

MOUNTING

The Electronic Points Box can be mounted in any position, except upsidedown. It should be kept clear of direct engine heat sources such as the exhaust. Before mounting the box make sure the wiring harness and coil wire reach the generator.

The Box is supplied with four $\frac{3}{4}$ " vibration mounts. These mounts are designed for lower levels of vibration over a long interval of time such as experienced in circle track racing. Use a $\frac{3}{16}$ " drill bit with these mounts (Figure 1). These vibration mounts are available separately as PN 8823.

If your application experiences severe vibrations for a short duration, such as tire shake from drag racing, PN 8822 Vibration Mounts are required. These are 1" mounts and are designed for extreme conditions.

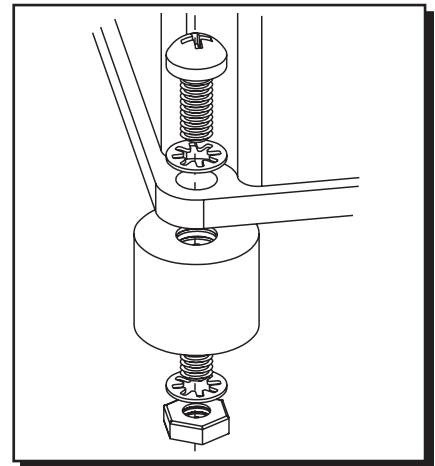


Figure 1 Mounting the Points Box.

Note: To ensure a good ground path from the Electronic Points Box, a ground wire should be routed from the Points Box to the cylinder head of the engine. Use a #10 ring lug connector with 16 gauge wire (Figure 3). The wires should be connected between the Box and the retaining screw.

INSTALLING THE GENERATOR

The MSD Pro Mag cannot be used with the conventional "Buzzbox" to set the timing prior to running the engine. Position the number one cylinder to your desired timing. This will give you a good area to start the engine and check the timing.

Note: The Pro Mag fires when the rotor tip is leading into the distributor cap terminal (Figure 2).

When the generator is positioned at or near your desired timing, lock down the housing and install the rotor, cap and spark plug wires.

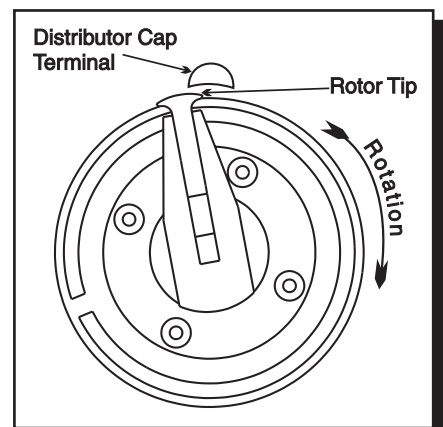


Figure 2 Rotor Tip and Cap Alignment.

WIRING

The Pro Mag is equipped with matching connectors and plugs directly into the Electronic Points Box and the Kill Switch. The 4-Pin connects to the Generator and the 2-Pin connects to the Kill Switch (Figure 3).

When routing the wiring harness make sure the wires are not pulled tight to the point of being stressed. Also, take care to route them away from direct engine heat sources and sharp edges. If the connectors do not mate together, check for bent or mislodged terminal pins. Do not force the connectors together!

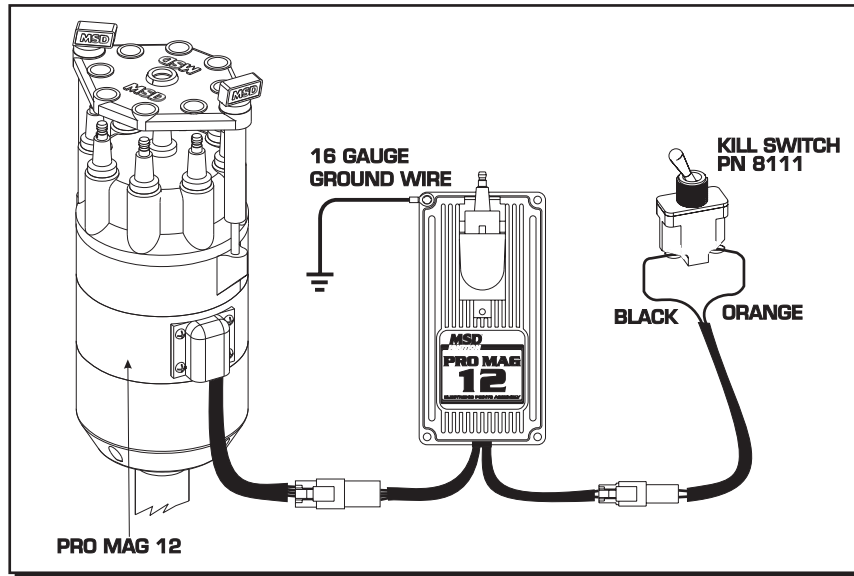


Figure 3 Wiring the 12 Amp Pro Mag.

TACHOMETERS

MAGNETO TACHS

There are two style Magneto Tachs offered; Voltage triggered and Inductive triggered. Both can be used with the MSD Pro Mag but wire differently.

Voltage Triggered Mag Tachs: Connect the tach signal wire to the Orange wire of the Kill Switch. The tach ground connects to the Black wire of the Kill Switch (Figure 4).

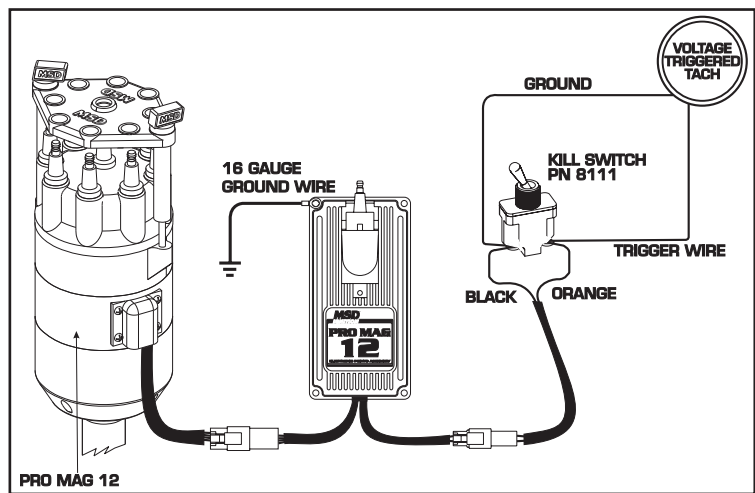


Figure 4 Wiring a Voltage Triggered Tach.

STANDARD ELECTRONIC TACHS

MSD offers a Magneto Tach Converter, PN 8132, that converts the Pro Mag's trigger signal so most automotive tachs can be used (Figure 5). **Note:** A 12 volt source is required.

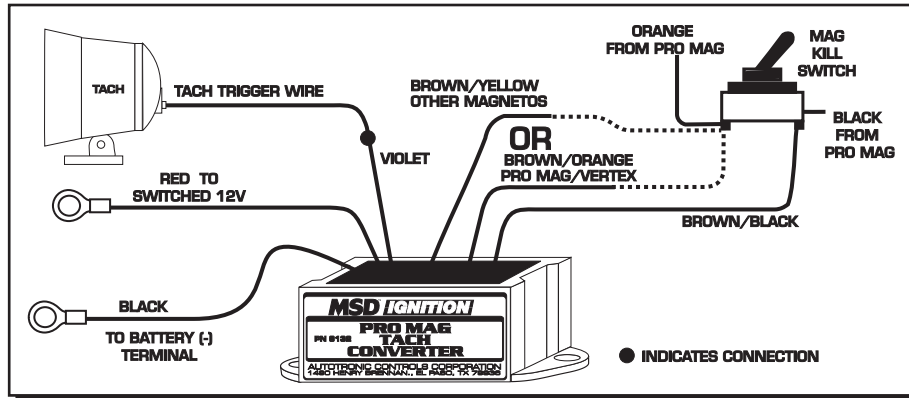


Figure 5 Wiring a Tachometer with PN 8132.

ACCESSORIES

TWO STEP MODULE SELECTOR

The Soft Touch Rev Control built into the Electronic Points Box can be used with a Two Step Module Selector, PN 8739, to give you two different rev limits. MSD also offers a Three Step Module Selector, PN 8737, for three rev limits. **Note:** A 12 volt source is required.

By connecting the Two Step to a trans brake or switch, you can have a low rpm limit to use on the starting line for consistent holshots. When the switch is released the rev limit switches to the high limit for overrev protection. Figure 6 shows a Two Step installation.

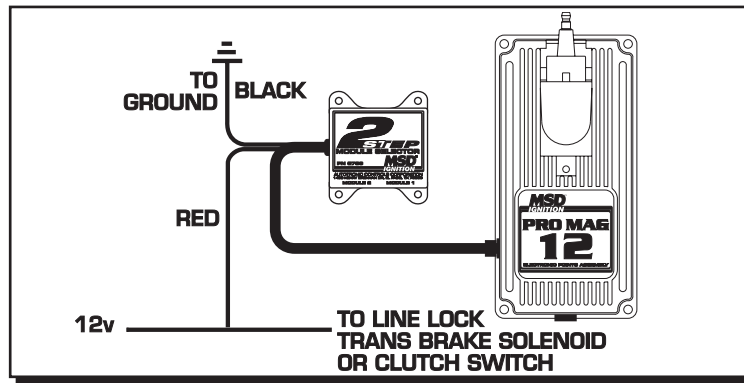


Figure 6 Wiring a Two Step.

INSTALLATION INSTRUCTIONS

Service

In case of malfunction, this MSD component will be repaired free of charge according to the terms of the warranty. When returning MSD components for warranty service, **Proof of Purchase** must be supplied for verification. After the warranty period has expired, repair service is based on a minimum and maximum fee.

All returns must have a Return Material Authorization (RMA) number issued to them before being returned. To obtain an RMA number please contact MSD Customer Service at 1 (888) MSD-7859 or visit our website at www.msdpower.com/rma to automatically obtain a number and shipping information.

When returning the unit for repair, leave all wires at the length in which you have them installed. Be sure to include a detailed account of any problems experienced, and what components and accessories are installed on the vehicle. The repaired unit will be returned as soon as possible using Ground shipping methods (ground shipping is covered by warranty). For more information, call MSD at (915) 855-7123. MSD technicians are available from 7:00 a.m. to 5:00 p.m. Monday - Friday (mountain time).

Limited Warranty

MSD warrants this product to be free from defects in material and workmanship under its intended normal use*, when properly installed and purchased from an authorized MSD dealer, for a period of one year from the date of the original purchase. This warranty is void for any products purchased through auction websites. If found to be defective as mentioned above, it will be repaired or replaced at the option of MSD. Any item that is covered under this warranty will be returned free of charge using Ground shipping methods.

This shall constitute the sole remedy of the purchaser and the sole liability of MSD. To the extent permitted by law, the foregoing is exclusive and in lieu of all other warranties or representation whether expressed or implied, including any implied warranty of merchantability or fitness. In no event shall MSD or its suppliers be liable for special or consequential damages.

*Intended normal use means that this item is being used as was originally intended and for the original application as sold by MSD. Any modifications to this item or if it is used on an application other than what MSD markets the product, the warranty will be void. It is the sole responsibility of the customer to determine that this item will work for the application they are intending. MSD will accept no liability for custom applications.