

MSD INSTALLATION INSTRUCTIONS

MSD 2-Step Launch Control for Ford 5.0L Mod Motors 2011 PN 8731

ONLINE PRODUCT REGISTRATION: Register your MSD product online and you'll be entered in our monthly 8.5mm Super Conductor Spark Plug Wire give-away! Registering your product will help if there is ever a warranty issue with your product and helps the MSD R&D team create new products that you ask for! Go to www.msdisignition.com/registration.

Parts Included:

1 - 2-Step Launch Control
1 - Harness

Parts Bag:

1 - Tap
3 - Mounting Screws

The 2-Step Launch Control is a low rpm limiter only. The factory speed limiter will not be affected.

This MSD 2-Step Launch Control is designed for Ford Modular 5.0L engines with Coil-on-Plug ignitions. The 2-Step Control switches to a lower rpm limit that will assist in consistent launches and 60-foot times. RPM adjustments are made via two rotary switches located on the harness side of the unit. The adjustment range is from 1,000 - 10,900 rpm, in 100 rpm increments. An LED will illuminate when the launch rev limit is active.

Note: It is recommended to have the Service Manual for your vehicle. If you cannot identify an activation wire, a microswitch or relay may be required.

Note: The engine rpm must drop more than one third of the set launch limit in order to activate. For example, if the launch limit is set at 3,000 rpm, the engine speed must drop below 2,000 rpm in order for the launch limit to become active (one third of 3,000 rpm is a 1,000 rpm drop).

Caution: Keeping the engine on a lower rpm limit may cause the Check Engine light to come on and could potentially damage the catalytic converter.

IMPORTANT: Due to wiring variations on different models, MSD cannot identify specific wiring on the clutch switches. Consult your Service Manual for wiring schematics.

MOUNTING

The 2-Step Control can be mounted in any position but keep in mind to mount it so the rotary dials are accessible for adjustments (Figure 1). Hardware is supplied for mounting. Before mounting the unit, confirm that the wiring harnesses reach their connections.

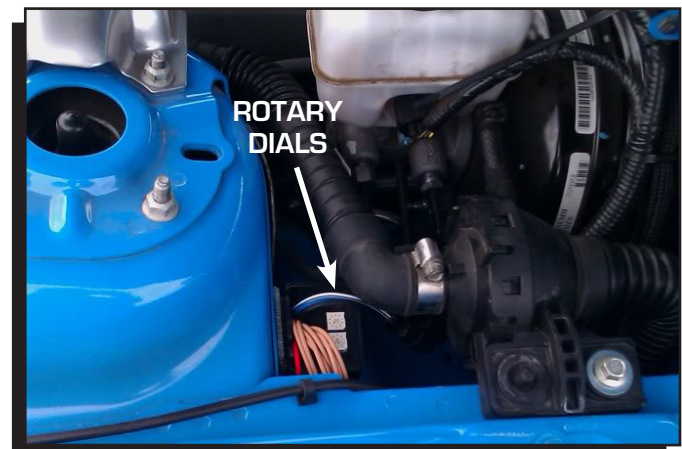


Figure 1 Accessible Rotary Dials.

WIRING	
8-WIRE CONNECTOR	
Tan (8)	Signal Connections.
8-WIRE CONNECTOR	
Red	12 volt Connection through this single Red wire.
3-WIRE CONNECTOR	
Black	Connects to a good engine ground or the negative battery terminal.
Blue	Activation Wire. When grounded, the launch feature will be active.
White/Blue	Activation Wire. When switched to 12 volts, the launch feature will be active.

1. Connect the 3-pin harness to the 2-step and connect the Black wire to the good engine or chassis ground.
2. Disconnect the 2-pin connectors from each of the eight ignition coils.
3. Connect all eight of the 2-pin male connectors from the MSD harness into the factory coil connectors.
4. Plug the 8-pin connector with the single Red wire from the 2-Step to the connector with Black wires.
5. Turn the key to the On position - do NOT start the engine. Look at the LED on the 2-Step:
LED On - This confirms that the wiring is correct and you can move to step 6 (Figure 2).
LED Off - The wiring is different for this application and needs to be changed. Turn the key Off, plug the 8-pin connector with the eight Gray wires into the connector with the single Red wire (Figure 3).
6. Connect the 8-pin harness with the tan wires to the remaining connector on the harness.
7. Connect all eight of the female 2-pin connectors from the MSD harness into the factory coils.

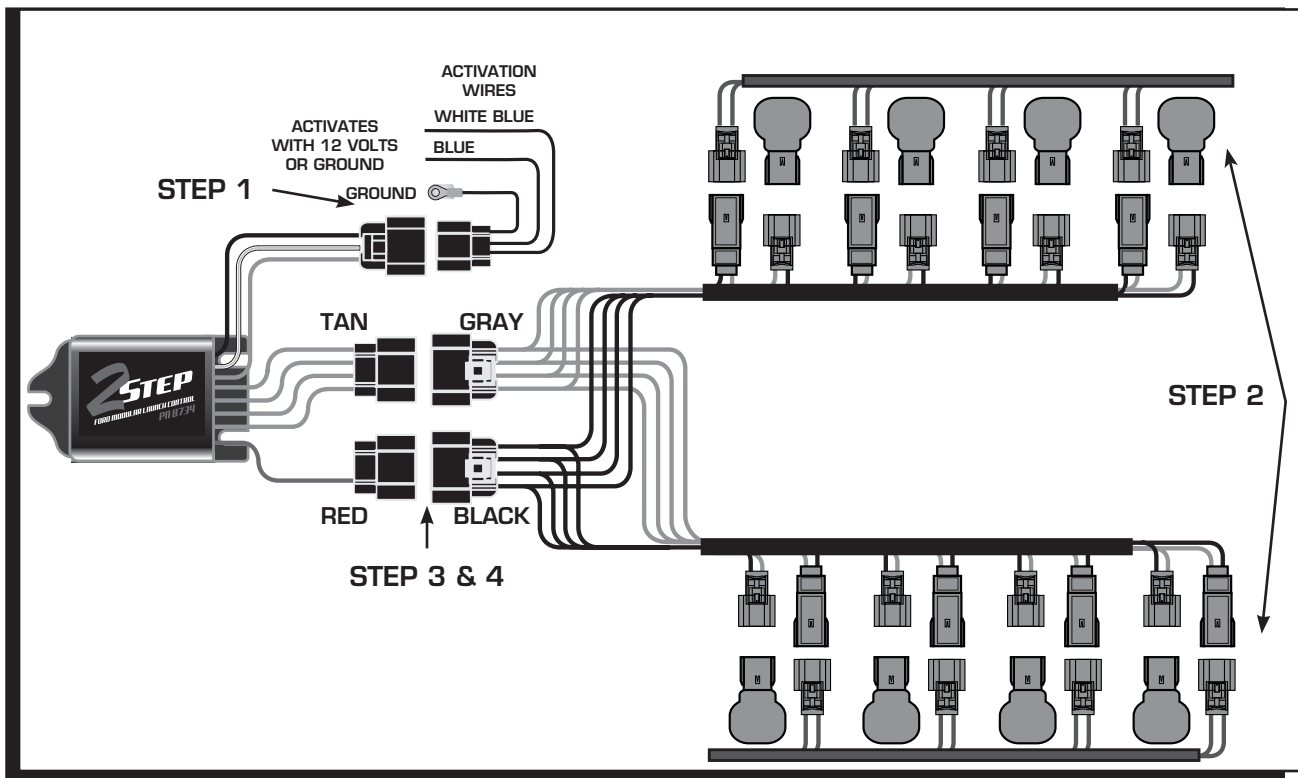


Figure 2 Wiring the 2-Step Launch Control.

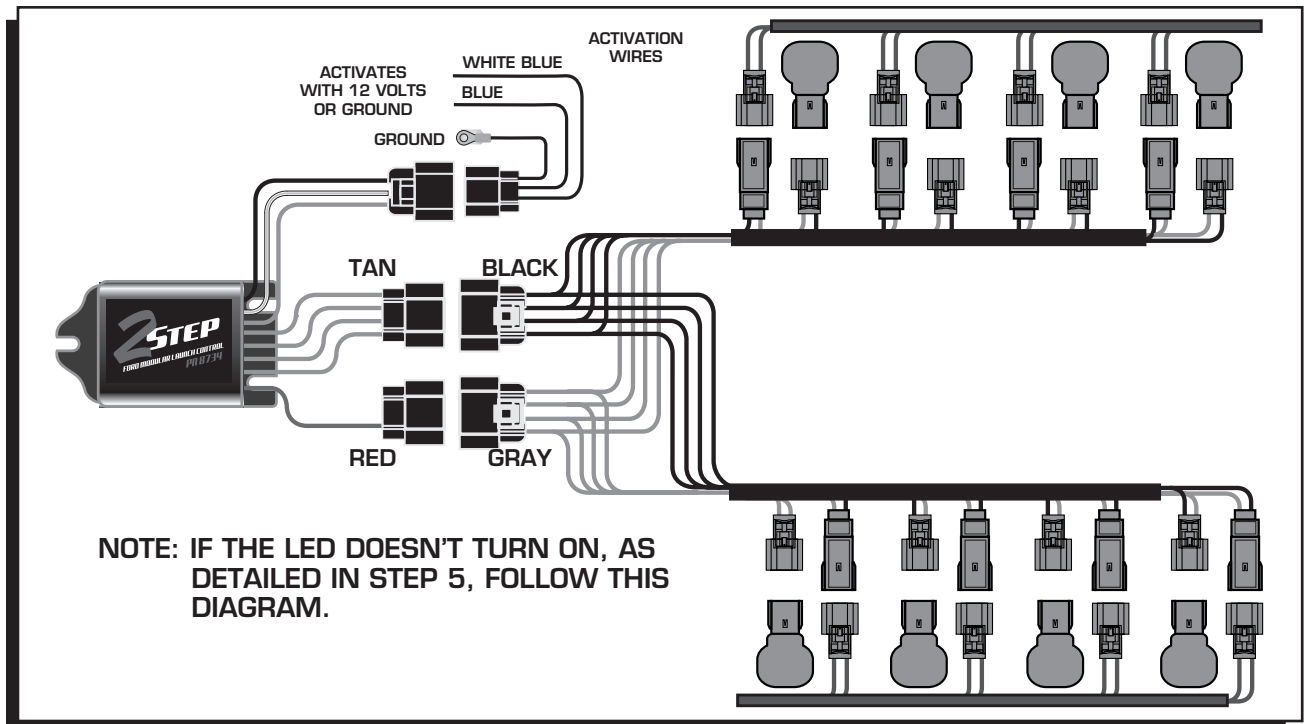


Figure 3 Alternate Wiring.

CONNECT THE ACTIVATION WIRE

The launch rpm limit can be activated through a ground or a 12 volt source.

Ground: Switch the Blue wire to ground to activate the launch limit.

12 volts: Connect the White/Blue wire to 12 volts to activate the launch limit.

If you are planning to use the factory clutch switch to activate the 2-Step, note that there may be variations in factory wiring colors and outputs. It is recommended that you have the factory wiring diagram and schematic. Also, check any wiring for voltage or ground with the key on, during cranking and when the engine is running. A relay may be required with factory wiring systems.

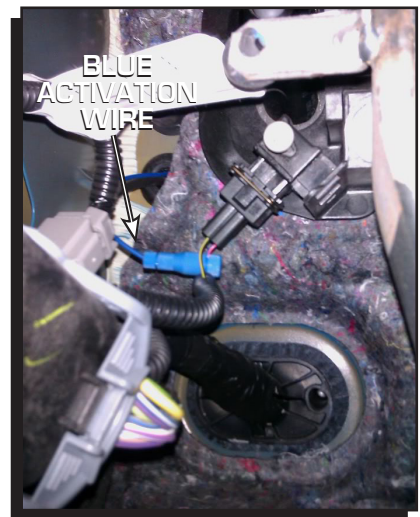


Figure 4 Activation Wire.

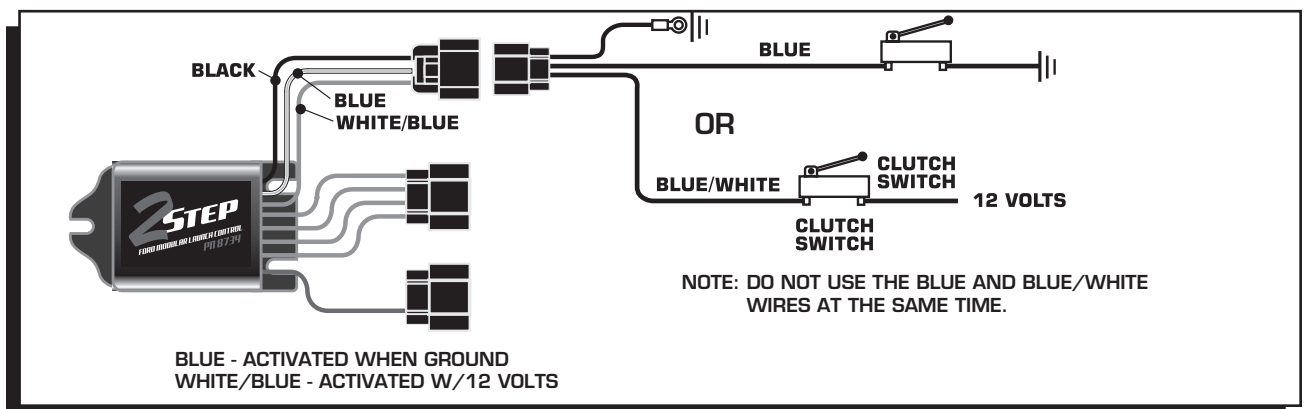


Figure 5 Wiring the Launch Activation Wire.

INSTALLATION INSTRUCTIONS

CONFIRM INSTALLATION

With the power On, engine running, activate the On/Off switch. If connected correct, the LED will illuminate when the clutch is activated. To verify the rpm, set the limit at a lower rpm, such as 2,000, and test the system.

If the engine has trouble starting or running. check the following:

- Ground or switched 12 volts connection
- Coil connections
- The two 8-pin connectors may be in the wrong position and should be swapped and tested again.

Service

In case of malfunction, this MSD component will be repaired free of charge according to the terms of the warranty. When returning MSD components for warranty service, **Proof of Purchase** must be supplied for verification. After the warranty period has expired, repair service is based on a minimum and maximum fee.

All returns must have a Return Material Authorization (RMA) number issued to them before being returned. To obtain an RMA number please contact MSD Customer Service at 1 (888) MSD-7859 or visit our website at www.msdpower.com/rma to automatically obtain a number and shipping information.

When returning the unit for repair, leave all wires at the length in which you have them installed. Be sure to include a detailed account of any problems experienced, and what components and accessories are installed on the vehicle. The repaired unit will be returned as soon as possible using Ground shipping methods (ground shipping is covered by warranty). For more information, call MSD at (915) 855-7123. MSD technicians are available from 7:00 a.m. to 5:00 p.m. Monday - Friday (mountain time).

Limited Warranty

MSD warrants this product to be free from defects in material and workmanship under its intended normal use*, when properly installed and purchased from an authorized MSD dealer, for a period of one year from the date of the original purchase. This warranty is void for any products purchased through auction websites. If found to be defective as mentioned above, it will be repaired or replaced at the option of MSD. Any item that is covered under this warranty will be returned free of charge using Ground shipping methods.

This shall constitute the sole remedy of the purchaser and the sole liability of MSD. To the extent permitted by law, the foregoing is exclusive and in lieu of all other warranties or representation whether expressed or implied, including any implied warranty of merchantability or fitness. In no event shall MSD or its suppliers be liable for special or consequential damages.

*Intended normal use means that this item is being used as was originally intended and for the original application as sold by MSD. Any modifications to this item or if it is used on an application other than what MSD markets the product, the warranty will be void. It is the sole responsibility of the customer to determine that this item will work for the application they are intending. MSD will accept no liability for custom applications.